

AT VICM 202 - BCU - Basic Communication Unit

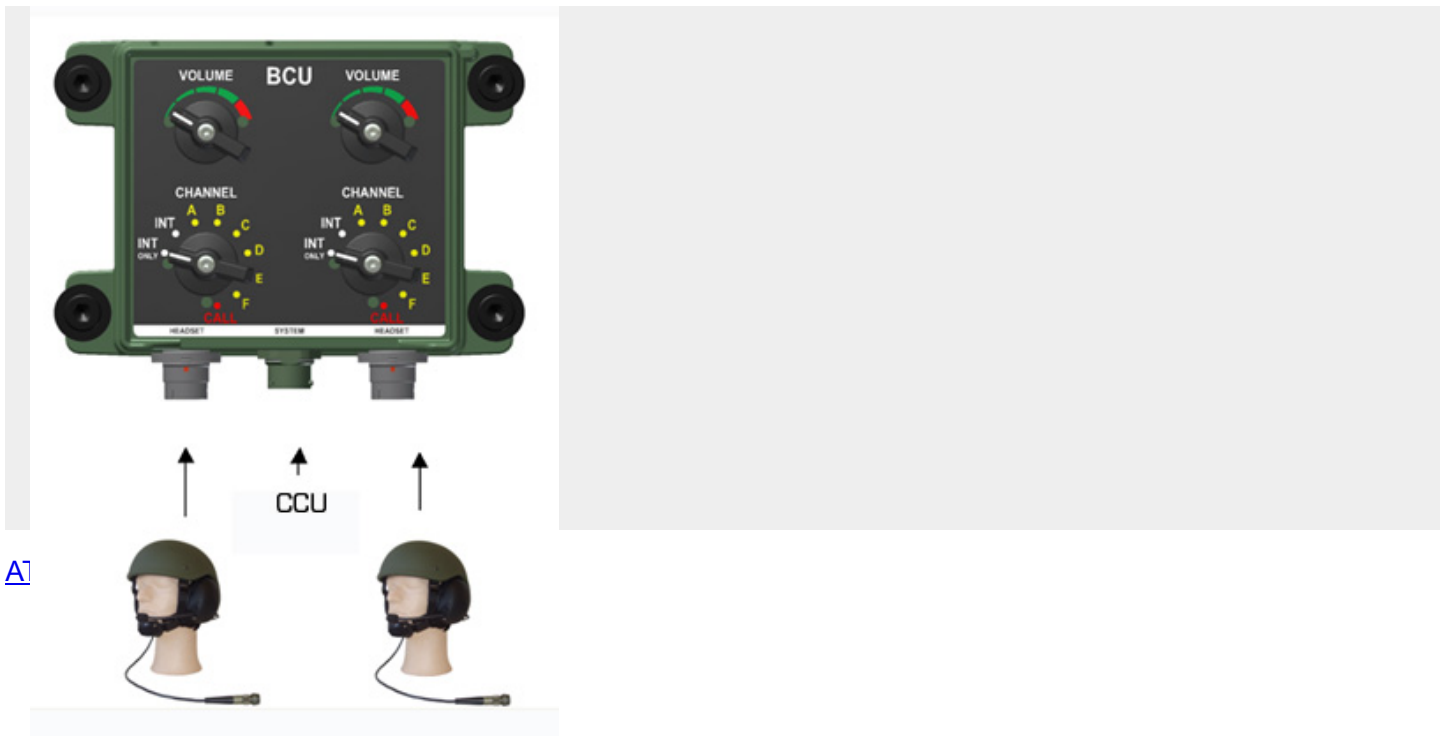
AT VICM 202 - BCU - Basic Communication Unit

BCU is a basic unit of the Software Defined Intercom System VICM 200 COMBAT. Two headsets (ANR) with access to Intercom and CNR can be connected to BCU. Manufactured also in data capable variant (VICM 202D).



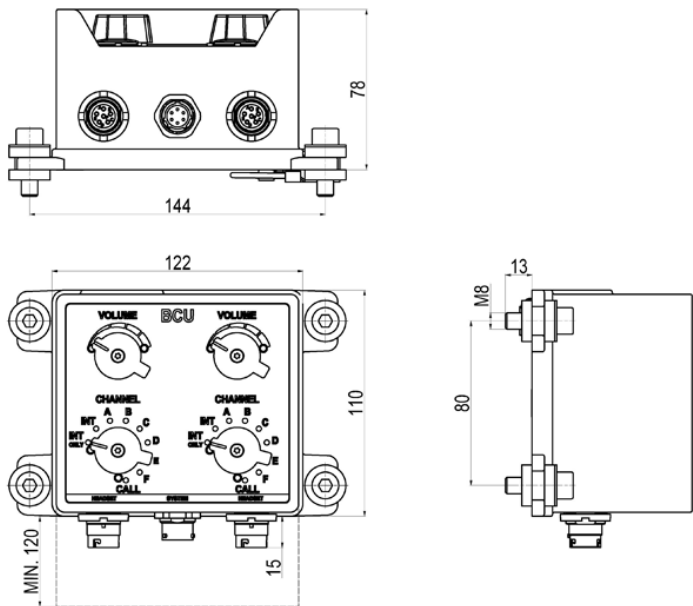
- ✓ Up to 2 crew members
- ✓ ANR supported
- ✓ Full intercom and CNR access
- ✓ Volume control for each of the crew member
- ✓ Selection of working and monitoring channel
- ✓ Priority call to all crew members – CALL
- ✓ Connected to COM port on CCU
- ✓ Data capable unit (VICM 202D) - equipped with data interface

Connection



A

Dimensional drawing



Technical parameters

Dimensions (W x H x D)	(164 x 121,5 x 83) mm
Weight max.	1,1 kg
Nominal supply voltage	28 V DC
Operating temperature	-35°C to +60°C
Storage temperature	-40°C to +71°C
Environment	MIL-STD-461E, MIL-STD-810F



At VICM 202 - BCU - Basic Communication Unit - Military Intercom